

Expert Statement

Durability (Resistance to repeated opening and closing)

No. 19-000222-PR03

(GAS-C02-11-en-01)



Creation date 25.02.2021

Client Krona Koblenz S.p.A.
Via O. Romero 1
47853 Coriano (RN)
Italy

Order Expert statement to test reports
19-000222-PR01 (PB-C02-03-en-01), dated 21.10.2019
19-000222-PR02 (PB-C02-03-en-01), dated 21.10.2019
19-000222-PR01 (NW-C02-03-en-01), dated 21.10.2019
19-000222-PR02 (NW-C02-03-en-01), dated 21.10.2019

Object Interior door with invisible hinges KUBICA K6360/45

Contents

- 1 Order
- 2 Basis
- 3 Evaluation
- 4 Summary of extrapolated performance characteristics
- 5 Results and statement

No. 19-000222-PR03 (GAS-C02-11-en-01) dated **25.02.2021**
Client Krona Koblenz S.p.A., 47853 Coriano (RN) (Italy)



1 Order

The company Krona Koblenz S.p.A., 47853 Coriano (Italy), commissioned the **ift** Rosenheim to prepare an expert statement on the following:

Extrapolation of the results contained in ift evidence of performances

- 19-000222-PR01 (PB-C02-03-en-01), dated 21.10.2019
- 19-000222-PR02 (PB-C02-03-en-01), dated 21.10.2019
- 19-000222-PR01 (NW-C02-03-en-01), dated 21.10.2019
- 19-000222-PR02 (NW-C02-03-en-01), dated 21.10.2019

under consideration of the deviations listed in table 1 given below.

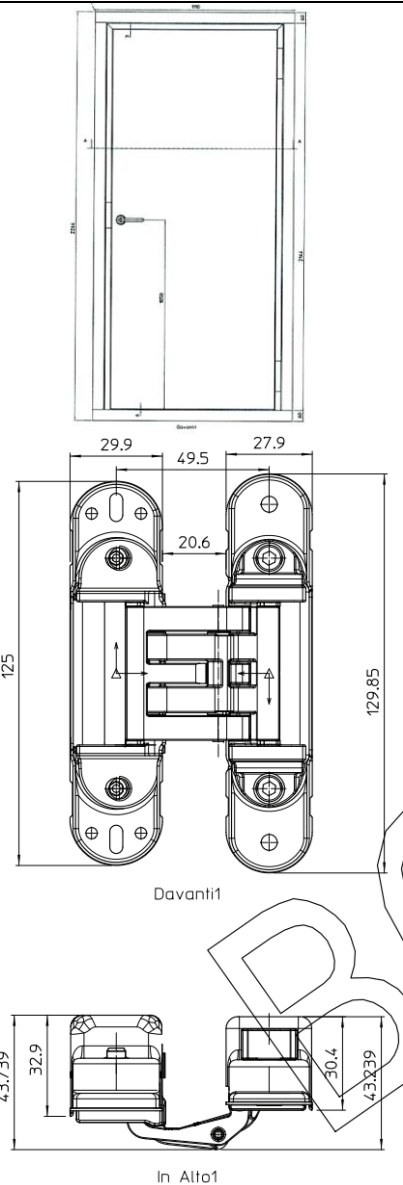
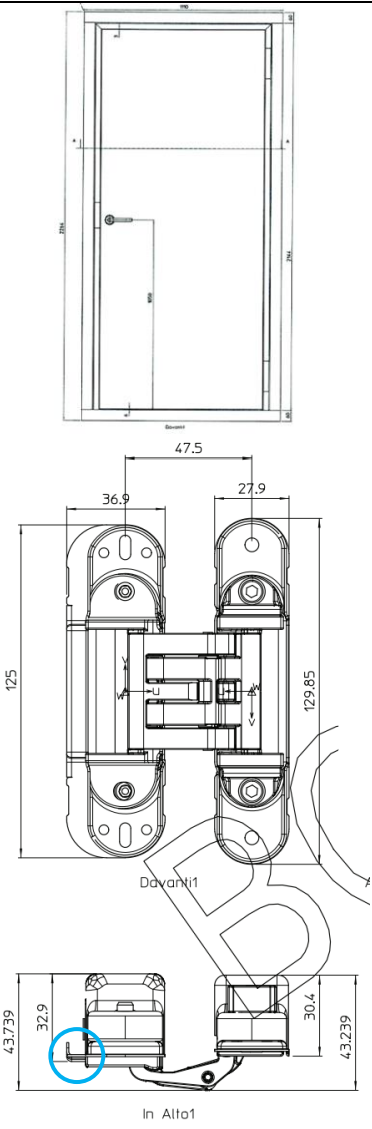
2 Basis

The evaluation was based on:

- 19-000222-PR01 (PB-C02-03-en-01), dated 21.10.2019
- 19-000222-PR02 (PB-C02-03-en-01), dated 21.10.2019
- 19-000222-PR01 (NW-C02-03-en-01), dated 21.10.2019
- 19-000222-PR02 (NW-C02-03-en-01), dated 21.10.2019
- Drawings submitted by the company Krona Koblenz S.p.A.

3 Evaluation



Table 1 Comparison of tested type with extrapolated type based on expert statement

Comparison of tested type / characteristics / details	Tested type	Extrapolated type
	<p style="text-align: center;">Interior door with invisible hinges KUBICA K6360/38</p> 	<p style="text-align: center;">Interior door with invisible hinges KUBICA K6360/45</p> 
Deviation	Projected width of hinge part on door leaf side by means of an optical widening (see marking above)	

Evaluation	<p>The decisive design features (hinge design / fixing type) are identical.</p> <p>The main differences are in the optical widening of the model KUBICA K6360/45 for use with thicker doors.</p> <p>The following requirements are necessary for the validity of this expert transmission:</p> <ul style="list-style-type: none">- Identical construction of door leaf with stronger core and frame as well as constant thickness of the face panels- Identical fittings to the tested version- Constant position of the lock / strike plates starting from opening face- Compliance with the maximum leaf weight of max. 60 kg- The enclosed door drawing represents the tested element and is to be adjusted taking into account previous points
------------	--

4 Summary of extrapolated performance characteristics

Table 2 Extrapolation interior door

Test specimen	1
Representation	
Product	Interior door
Designation	Interior door with invisible hinges KUBICA K6360/45
Details	Material timber and timber based materials ; Overall dimensions (W x H) 980 mm x 2139 mm ; Closing condition closed and latched ; Hinges: Kubica K6360-38
Special features	- / -
Test	Classification
 Durability (Resistance to repeated opening and closing)	Class 5

No. 19-000222-PR03 (GAS-C02-11-en-01) dated **25.02.2021**
Client Krona Koblenz S.p.A., 47853 Coriano (RN) (Italy)



5 Results and statement

Based on the expert inspection and the test results given in **ift** test reports the modifications described under Clause 3 do not cause any deterioration of the characteristics of the test specimen attested by the test reports.

ift Rosenheim
25.02.2021

A handwritten signature in blue ink that reads 'R. Krippahl'.

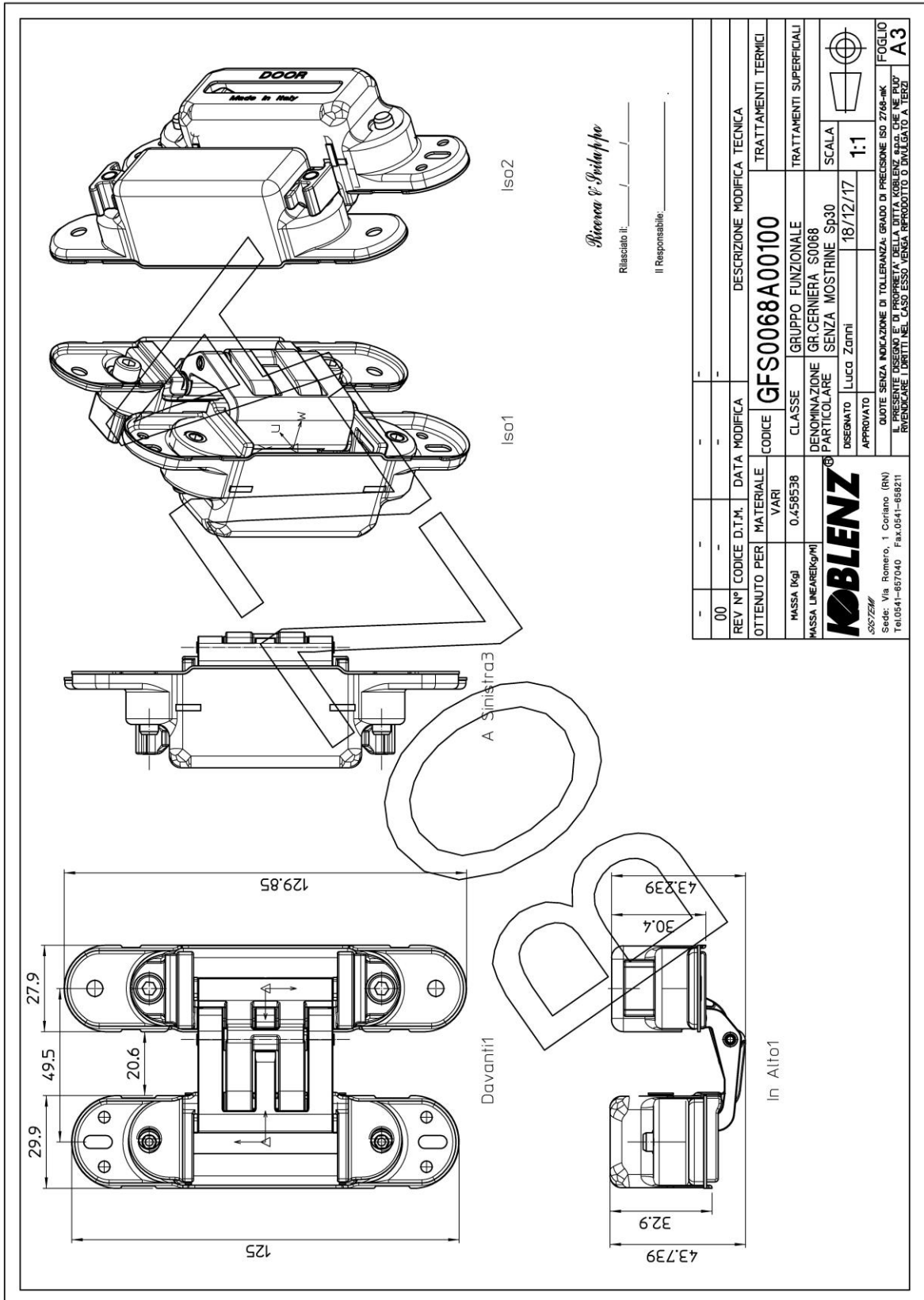
Robert Krippahl, Dipl.-Ing. (FH)
Deputy Head of Testing Department
Security/Safety Testing

A handwritten signature in blue ink that reads 'Thomas Krichbaumer'.

Thomas Krichbaumer
Operating Testing Officer
Security/Safety Testing

No.
Client

19-000222-PR03 (GAS-C02-11-en-01) dated **25.02.2021**
Krona Koblenz S.p.A., 47853 Coriano (RN) (Italy)



Drawing 2
Tested type of hinge

